

The image is a full-page advertisement for TRECA PARIS. It features a chair with a highly detailed, colorful patterned fabric in shades of blue, green, yellow, and white. The pattern includes floral and geometric motifs. In the foreground, a white, tufted mattress is shown, with a small label on the side that reads "TRECA PARIS". The background consists of a large window with a decorative, stained-glass-like pattern in white, green, and gold. The overall aesthetic is elegant and sophisticated.

# TRECA

PARIS

L'ART DE LA CHAMBRE



With Tréca Paris, you enter a universe where everything becomes possible, a universe where all your dreams come true.

We nurture our savoir-faire for generations to offer you the best sleep. Our sleep systems are not only high-quality mattresses, but also design objects for your bedroom.

*« Tréca, le savoir-dormir à la française »*

## TABLE OF CONTENT

HISTORY .....	3
SAVOIR-FAIRE .....	4
COLLABORATIONS .....	6
THE 12 SLEEPING SYSTEMS .....	10
HEADBOARDS .....	24
FABRIC AND LEATHER BUNDLE .....	36
TRECA SERVICES .....	42



## OUR HISTORY

- 1935 — Birth of Tréca in Reichshoffen, the only brand to sell spring mattresses in France. The Tréfilerie Câblerie is created by M. Moritz in Reichshoffen to manufacture high quality steel (H.L.E.).
- 1939 — In the midst of the Second World War, Tréca manufactures mattresses for the French Army Medical Corps.
- 1960 — Creation of Tréca Paris. Tréca is the leading exporter in its profession.
- 1980 — Creation of the first mattress topper, introducing a new standard in the industry.
- 1982 — Launch of the current Imperial "Air Spring®" Prestige.
- 2011 — First collaboration with a designer: Chantal Thomass haute couture collection.
- 2015 — Anniversary of Tréca celebrated with the creation of the Orient Express Loro Piana exclusive Millesime bed for Le Bon Marché.
- 2018 — «Les Plafonds vus par Tréca» Campaign at the Grand Palais.
- 2019 — Collaboration with Christian Lacroix.
- 2020 — Collaboration with Sarah Lavoine.
- 2021 — Collaboration with Charles Tassin.
- 2022 — Demonstration of the excellence of Tréca know-how – launch of the Auguste bed. Alsace bedding, Tréca manufacture in Reichshoffen, France, awarded as Entreprise du Patrimoine Vivant (Living Heritage Company).
- 2023 — Collaboration with Constance Guisset.

## UNIQUE NESTLING COMFORT

At Tréca, everything is meticulously thoughtout and designed. We favour the selection of noble, natural and environmentally-friendly materials, but above all of the highest quality, such as Silk, French Linen, Merino d'Arles wool, Royal Alpaca, or French Wool... We source our products from the places where they are crafted with the most excellence. Natural fibres that last over time and are, resilient, smooth, silky... these are the intrinsic quality values to make our beds exceptional.

We value our French know-how and heritage, and we favour the selection of natural, recycled and recyclable resources as close as possible to our manufacturing facilities. Thanks to this alchemy, we offer healthy sleep and sustainable comfort for the body and the environment.

## BESPOKE PERSONALIZATION

We offer tailor-made comfort, from the softest to the firmest, with the possibility of combining two comforts in a single mattress, offering tailor-made support to suit everyone's preferences and needs.

Our Tréca beds are available in a wide variety of sizes, offering many options, such as rounded corners, a softened shoulder zone, relaxation and much more. They can be tailored to your specific needs, whether its dimensions or decorations, reflecting our commitment to providing a truly bespoke service.

## CRAFTSMANSHIP SAVOIR-FAIRE



Every detail counts to achieve perfection. Exclusively handmade in France, meticulously sewn, upholstered and padded, the tailoring of a mattress requires the mastery of many skills but above all it requires time. Time is precious to make each mattress a masterpiece of French craftsmanship. Perfect in every way, every aspect.

Our workshop in Reichshoffen, Alsace Bedding's holding, was awarded the label Entreprise du Patrimoine Vivant (Living Heritage Company). The label «Entreprise du Patrimoine Vivant» (EPV) is a mark of government recognition set up to distinguish French companies that apply the highest levels of industrial and artisanal know-how.

## FRENCH DESIGN EXCELLENCE

At Tréca, we stand out for our "hand-sewn" quality and aesthetics, reflecting our commitment to excellence. Each piece is characterized by refined finishes. Handmade embroidery adds a touch of sophistication, while the choice of coutil is carefully considered to combine softness and beauty.

We believe that every person's sleep experience is unique and deserves the utmost attention. Nothing is left to chance at Tréca. We ensure excellence in every detail, from the precious fabrics we use to the smallest handstitched detail, we offer a bespoke approach to provide you with a unique french-style bed and a restful sleep.



## WHEN THE ART OF THE FRENCH BEDROOM JOINS THE ART OF FABRICS

From the selection of the finest fabrics and materials to the hand-sewn finishing touches by our French upholsterers and seamstresses, Tréca experts listen to your needs and offer you a personalised approach for a customised bed, to better suit your own self.

To go even further in personalizing your bedroom, Tréca offers a wide range of fabrics such as velvet, linen or leather to cover the bed bases and headboards. In addition to our Tréca fabric range, you can also decide on your own fabric, allowing you to create an even more unique and distinctive ambiance.



## TRÉCA X PIERRE FREY

Tréca and Maison Pierre Frey, both champions of tradition, craftsmanship, excellence, and French design, have united to offer tailored fabrics for Tréca beds.

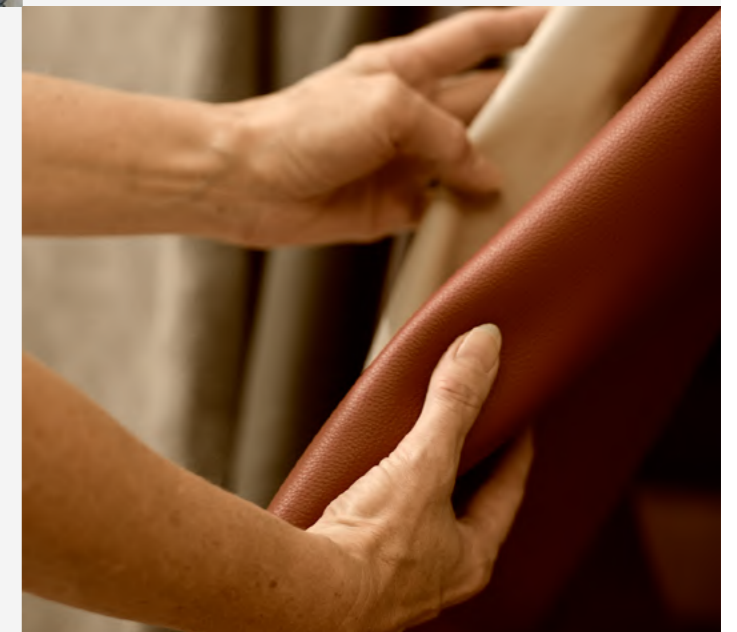
Founded in 1935, Maison Pierre Frey is a French textile and design firm, specialising in the creation, production, and manufacturing of fabrics. With a commitment to superior craftsmanship and exceptional workmanship, Maison Pierre Frey has become a symbol of quality and style.

Experience the unparalleled luxury and artistry of the Tréca and Maison Pierre Frey partnership, where French design and exquisite fabrics unite to create a truly exceptional sleep experience.

## THE LEATHER WORK

At Tréca Paris, our expertise in crafting bespoke beds is distinguished by the meticulous handling of high-quality leather, a fundamental element in our artisanal process. We understand the distinctive qualities and beauty of each leather type, ensuring that only the finest leathers are selected. The meticulous process of crafting tailor-made beds involves our dedicated team of skilled workers, including adept seamstresses and expert upholsterers, who collaborate seamlessly to transform these exceptional leathers into personalized masterpieces.

At Tréca, the journey towards a tailor-made bed not only reflects a commitment to meeting individual needs but also showcases our expertise in working with high-quality leather, ensuring that every element of your bed exudes luxury and sophistication.



## OUR CREATIVE COLLABORATIONS

Creativity marks the beginning of beautiful stories. As we want your bedroom to be and feel unique, we collaborate every year with major designers and fabric editors to offer you oneiric products.

To brighten your bedroom, Tréca offers beds designed by renowned designer such as Charles Tassin, Constance Guisset, Maison Sarah Lavoine, Annette Lang, Andréas Weber, Mr Christian Lacroix, Quaglio Simonelli,...

Tréca beds are combined with fabrics from leading editors such as Pierre Frey, Schumacher, Brunschwig & Fils, Loro Piana, Lelièvre, Dedar, Jim Thompson, Rubelli,...

True decorative objects, our beds and furnishings can be customized to suit every trend and every desire.



**ANNETTE LANG**



**CHARLES TASSIN**



**QUAGLIO SIMONELLI**



**MATHILDE BRETILLOT**



**MR CHRISTIAN LACROIX**



**ANDRÉAS WEBER**



**CONSTANCE GUISET**



**HOFFMANN KAHLEYSS**

## TRÉCA IN FRENCH PALACES

Sleeping under the Sun King's gilded ceiling requires excellence, artisan craftsmanship and high quality. An exceptional mattress for a unique project. It is only natural that Airelles chose Tréca, the brand that has been perfecting French sleep since 1935, to furnish the suites at Le Grand Contrôle, within the grounds of the iconic Château de Versailles.

Tréca Paris has equipped French palaces such as Relais Bernard Loiseau, Maison des Têtes Colmar, Villa Foch, Les Coquillades, Villa Gallicci, Château des Alpilles, Aman Le Mélézin and even the Royal Evian Palace.



## TRÉCA AND HÔTEL DU CAP-EDEN-ROC

Every iconic place needs exceptional partners! That's why Hôtel du Cap-Eden-Roc chose Tréca Paris.

This collaboration has enabled the reuse of 200 kg of the hotel's linen by using it inside the mattress, an unprecedented upcycling approach. This partnership brings together two emblematic maisons, both committed to the art of living, with shared values of luxury and circularity, favoring high-quality materials for products that stand the test of time. Together, they embody a shared vision of elegance and environmental responsibility, offering their customers the ultimate in comfort and sustainable luxury.

## TRÉCA IN THE FINEST YACHTS

Tréca can help you realize unique projects, such as the design of custom beds for yachts. Made from the finest materials and designed to optimize space, our beds combine elegance and comfort, bringing Tréca quality to the high seas. Our experts adapt to your requirements, whatever the shape and size of your cabin.

Every night on board becomes an unparalleled experience, where every detail is carefully thought out to exceed your highest expectations.



T

**THE SLEEP TABLE:  
A UNIQUE CHOICE MATRIX  
DEVELOPED BY TRECA PARIS**

To choose the ideal Tréca bed, it is important to determine the firmness better suited to the user. The choice of the tension depends on weight and size. This is why Tréca Paris has developed this unique Sleep Table.

It will however never replace actual bed testing for you to get the fantastic Experience the best that Tréca has to offer

The Sleep Table was designed for the combination of a mattress and spring bed base.

Adding a Tréca mattress topper will increase the quality of reception and the flexibility of the whole sleeping system.

Size	Weight						
	less than 110 lbs	112 - 132 lbs	134 - 154 lbs	156 - 176 lbs	178 - 198 lbs	200 - 220 lbs	220 - 286 lbs
Less than 4'1	☺	☺☺	☺☺	☺☺☺	☺☺☺	☺☺☺	☺☺☺
4'1 - 5'3	☺	☺☺	☺☺	☺☺	☺☺☺	☺☺☺	☺☺☺
5'3 - 5'7	☺	☺	☺☺	☺☺	☺☺	☺☺☺	☺☺☺
5'7 - 5'1	☺	☺	☺	☺☺	☺☺	☺☺	☺☺☺
5'1 - 6,3'		☺	☺	☺	☺☺	☺☺	☺☺☺
6'3 - 6'7		☺	☺	☺	☺☺	☺☺	☺☺☺
Over 6'7				☺	☺	☺☺	☺☺☺

☺ medium

☺☺ firm

☺☺☺ extra-firm

T

**OUR UNIQUE PROPOSITION**

*Create your own bed by choosing:*

**1**

***Sleeping system***

*(mattress topper, mattress and bed base)*



**2**

***Headboard***



**3**

***Treca's or your own fabric or leather***



# T

## THE SLEEPING SYSTEM *Auguste*

*Experience Tréca's ultimate masterpiece where ultra-noble natural materials meet exceptional craftsmanship.*

For the first time in bed making history, Tréca Paris created the dream bed in which the bed base, support mattress, comfort mattress and topper are manufactured and presented as a single unit, guaranteeing made-to-measure comfort.

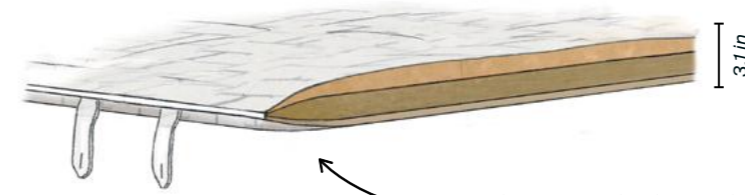
More than 100 steps are necessary to produce the Auguste bed. Over 25kg of the finest materials are used to fill the mattress. These are: Royal Alpaca and Merino d'Arles wool to ensure warmth and softness; while the silk and the wool ensure optimal temperature regulation. Each mattress is entirely tufted by hand, guaranteeing gentle support and avoiding any material shifting.



More than 100 steps in total are required to create the Auguste bed.

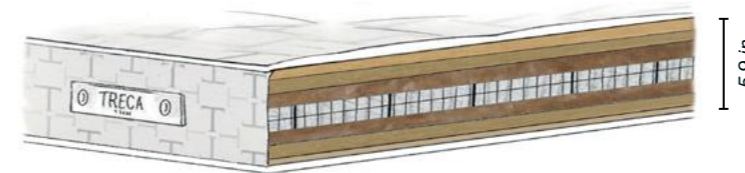
39 of our best craftsmen are involved :

- 17 for the support and comfort mattress, including 3 master upholsterers with 20 years of experience
- 5 for the mattress topper
- 2 for the facing
- 6 for the headboard
- 7 for the bed base
- 2 seamstresses, with over 20 years of experience



**MATTRESS TOPPER**

*Materials: Merino d'Arles wool, Royal Alpaca, and Silk  
Finishes: Embroideries and handles included*



**COMFORT MATTRESS**

Medium, firm or extra-firm

*Suspension: 2 layers of Air Spring® mini pocket spring  
Materials: Merino d'Arles wool, Royal Alpaca, Silk, and Wool  
Finishes: Integral tufting and embroideries*



**SUPPORT MATTRESS**

Medium, firm or extra-firm

*Suspension: Air Spring® cotton pocket spring and 2 layers of mini pocket-spring  
Materials: Merino d'Arles wool, and Wool  
Finishes: Integral tufting, hand-tufted strip in fabric of your choice and embroideries*



**BED BASE**

Soft

*Structure: Spring, Wool and Wood  
Finishes: Traditional shell frame, quilted flat strip, choice of decorative fabric*

# T

## THE SLEEPING SYSTEM

### *Zénith*

Tréca Paris' symbol of excellence and craftsmanship, the Zenith bed has been designed using the noblest, rarest and most precious materials.

With lateral and integrated padding, it takes our experienced master craftsmen three days to produce the mattress by hand. A unique comfort due to its double Air Spring® suspension that ensures an optimal morphological support associated with Talalay and Alpaca Royal wool, selected for its exceptional properties and uniqueness.

It is the ideal sleeping system for individuals looking for a unique, custom-finished product with softer comfort.



**HAUTE COUTURE MATTRESS TOPPER**  
Height: 3,9 in  
*Materials: Latex, Merino d'Arles wool, Baby Lama, Kermel® and viscose*  
*Finishes: embroideries, handles included*

**ZENITH MATTRESS**  
Tension: medium, firm or extra-firm  
Comfort: supple  
Height: 13,7 in  
*Suspension: 2 layers of Air Spring® pocket spring*  
*Materials: Talalay, Royal Alpaca, Kermel® and viscose*  
*Finishes: Handmade integral and lateral tufting, hand-upholstered border, embroideries, handles and aerators*

**MAJESTIC COMFORT BED BASE**  
Tension: supple  
Height: 8,6 - 10,2 - 11,8 (standard: 8,6 in)  
*Structure: Spring and Pine wood*  
*Finishes: Traditional shell frame, quilted flat strip, choice of decorative fabric*

# T

## THE SLEEPING SYSTEM

### *Hommage*

Hommage is a handcrafted bed featuring lateral construction with integrated padding and high-performance fillings made of natural materials. Lateral-construction cushioning reinforces the stability and performance of the mattress and ensures the physical integrity of the fillings over time.

The suspension is comprised of Air Spring® pocket spring and topped with two layers of miniature Air Spring® springs to offer you unparalleled comfort thanks to gradual point-elastic support and adapted to your body shape and size. Made from Baby Lama, a noble and lightweight material, this bed offers superior softness.



**HAUTE COUTURE MATTRESS TOPPER**  
Height: 3,9 in  
*Materials: Latex, Merino d'Arles wool, Baby Lama, Kermel® and viscose*  
*Finishes: embroideries, handles included*

**HOMMAGE MATTRESS**  
Tension: medium, firm or extra-firm  
Comfort: supple  
Height: 12,9 in  
*Suspension: 2 layers of Air Spring® pocket spring*  
*Materials: Talalay, Merino d'Arles wool, Baby Lama, Kermel® and viscose*  
*Finishes: Handmade integral and lateral tufting, hand-upholstered border, embroideries, handles and aerators*

**MAJESTIC COMFORT BED BASE**  
Tension: supple  
Height: 8,6 - 10,2 - 11,8 (standard : 8,6 in)  
*Structure: Spring and Pine wood*  
*Finishes: Traditional shell frame, quilted flat strip, choice of decorative fabric*

# T

## THE SLEEPING SYSTEM *Montaigne*

Refined precision and ergonomical delight are the hallmarks of the Montaigne bed. Handmade, this bed features integral vertical padding ensuring the materials endure the passage of time and provide long-lasting comfort.

Montaigne is the combination of latex and cashmere, added with Air Spring® pocket springs and three layers of small pocket springs, giving rise to a comfortable downy mattress.

**VERSAILLES MATTRESS TOPPER**  
Height: 3,1 in  
*Materials: Merino d'Arles wool, wool and camel wool, linen-silk-cashmere, and wool*  
*Finishes: embroideries, handles on request*

**MONTAIGNE MATTRESS**  
Tension: medium, firm or extra-firm  
Comfort: dynamic  
Height: 12,5 in  
*Suspension: Air Spring® pocket spring and 3 layers of mini pocket-spring*  
*Materials: Latex, Cashmere and wool, linen-silk-cashmere, and french wool*  
*Finishes: Integral tufting, embroideries, handles and aerators*

**MAJESTIC COMFORT BED BASE**  
Tension: supple  
Height: 8,6 - 10,2 - 11,8 (standard: 8,6 in)  
*Structure: Spring and Pine wood*  
*Finishes: Traditional shell frame, quilted flat strip, choice of decorative fabric*

# T

## THE SLEEPING SYSTEM *Vendôme*

Vendôme is created with combination of Air Spring® classic pocket spring and two layers of small pocket springs. This suspension adapts to your morphology and brings you unparalleled comfort and satisfaction.

Lightweight and warm, we have selected camel wool for its thermostatic and soothing properties. This bed is the optimal combination of firmness and softness.

**VERSAILLES MATTRESS TOPPER**  
Height: 3,1 in  
*Materials: Merino d'Arles wool, wool and camel wool, linen-silk-cashmere, and wool*  
*Finishes: embroideries, handles on request*

**VENDÔME MATTRESS**  
Tension: medium, firm or extra-firm  
Comfort: dynamic  
Height: 11,4 in  
*Suspension: Air Spring® pocket spring and 2 layers of mini pocket-spring*  
*Materials: Wool and camel wool, wool and polyester, linen-silk-cashmere, and french wool*  
*Finishes: Integral tufting, embroideries, handles and aerators*

**MAJESTIC COMFORT BED BASE**  
Tension: supple  
Height: 8,6 - 10,2 - 11,8 (standard: 8,6 in)  
*Structure: Spring and Pine wood*  
*Finishes: Traditional shell frame, quilted flat strip, choice of decorative fabric*



# T

## THE SLEEPING SYSTEM

### *Les Airelles*

Since 2013, Tréca Paris worked in close cooperation with Les Airelles hotel group in equipping its prestigious establishments: Courchevel, The Messardière, Gordes and the Château de Versailles at Le Grand Contrôle. From this last collaboration was born the exclusive creation of a luxury bed «Airelles».

The bed features Air Spring® pocketed suspensions that ensure a royal comfort. Tréca takes particular care in the finishing touches, embroidered with a berry branch, emblem of Airelles.



# T

## THE SLEEPING SYSTEM

### *Elégance*

The comfort of Elegance lies in its downy and indulgent qualities. It provides firm comfort and gradual morphological support thanks to the combination of latex, Air Spring® pocket spring, and a filling made of wool, camel wool and cotton.

Noble, cotton is a selected natural fiber of superior quality. Its breathability and resilience make the material pleasant and fresh, giving the bed a soft feel in summer, combined with wool and camel wool to provide warmth in winter. Wool is a thermal regulator for all climates.



T

**THE SLEEPING SYSTEM**  
*Impérial Harmonie*

Tréca Paris offers you an array of bespoke and personalised comfort levels. The Impérial Harmonie bed calls on all our expertise, developed and perfected over the course of our long history.

This bed features generous layers of Talalay latex and a generous amount of wool and cotton. The talalay provides enveloping comfort and a extra softness welcome, excellent for people who sleep on their stomach or side.



**VERSAILLES  
MATTRESS TOPPER**

Height: 3,1 in

*Materials: Merino d'Arles wool, wool and camel wool, linen-silk-cashmere, and wool*  
*Finishes: embroideries, handles on request*

**IMPERIAL HARMONIE  
MATTRESS**

Tension: supple, medium, firm or extra-firm  
Comfort: supple  
Height: 11,4 in

*Suspension: Air Spring® pocket spring*  
*Materials: Talalay, Wool, Cotton, Kermel® and viscose*  
*Finishes: Integral tufting, embroideries, handles and aerators*

**ALPHA SPRING  
BED BASE**

Tension: firm  
Height: 5,1 - 5,9 - 6,6 - 8,6 (standard: 6,6 in)

*Structure: Spring and Pine wood*  
*Finishes: Traditional shell frame (except for height 5,1), quilted flat strip, choice of decorative fabric*

T

**THE SLEEPING SYSTEM**  
*Hôtel du Cap-Eden-Roc*

This bed reflects Tréca's craftsmanship and stands out thanks to its unique embroidery, the signature of the Cap-Eden-Roc Hotel.

It offers all-season comfort and is lightweight, making it possible to recreate a carefully prepared bed. It provides you with a perfect sleeping experience and ultimate comfort, thanks to the large amount of natural materials: Merino d'Arles wool and French linen. To present a mattress of even greater refinement and virtue, the bed sheets of the Cap-Eden-Roc hotel were upcycled into felt following Tréca eco-responsible's approach.



**HÔTEL DU CAP-EDEN-ROC  
MATTRESS TOPPER**

Height: 2,7 in

*Materials: Merino d'Arles wool and French linen*  
*Finishes: Embroideries, handles included*

**HÔTEL DU CAP-EDEN-ROC  
MATTRESS**

Tension: firm  
Comfort: gradual  
Height: 10,6 in

*Suspension: Air Spring® pocket spring*  
*Materials: Latex, Merino d'Arles wool, and Wool*  
*Finishes: Integral tufting, embroideries, handles and aerators*

**ALPHA SPRING  
BED BASE**

Tension: firm  
Height: 5,1 - 5,9 - 6,6 - 8,6 in (standard: 6,6 in)

*Structure: Spring and Pine wood*  
*Finishes: Traditional shell frame (except for height 5,1), quilted flat strip, choice of decorative fabric*

# T

## THE SLEEPING SYSTEM

### *Croisette*

The Croisette bed seamlessly blends sophisticated finishes with the luxurious comfort of premium raw materials, transforming every night into a compelling invitation to relaxation. Crafted with meticulous attention to detail, this bed ensures year-round comfort through a unique sleeping surface and an integrated pillow-top

It is the only one to feature a fusion of two historic suspensions: Pullman® and Air Spring®. Thanks to this combination and the generous amount of wool, it offers unique comfort, where firmness and coziness meet.



# T

## THE SLEEPING SYSTEM

### *Corniche*

The distinctive touch of excellence is evident in the visually captivating ticking adorned with precisely placed design. An embodiment of Tréca craftsmanship, this intricate decoration demands extraordinary precision from our master craftsmen to ensure its flawless alignment at the heart of the mattress surface.

Corniche promises progressive comfort thanks to its Air Spring® suspension associated with latex and Merino d'Arles wool, selected for its luxurious properties and softness.



# T

## THE SLEEPING SYSTEM *Impérial Air Spring Héritage*

The Impérial Air Spring® stands as the venerable cornerstone of Tréca Paris mattress legacy, it represents the original signature comfort and earning its status as the most renowned in Tréca's collection. This iconic bed is meticulously designed to cater to individual preferences, offering a personalized touch to your sleep sanctuary.

The Impérial Air Spring® Héritage is the only Tréca mattress that can provide four levels of tensions. It ensures a tailored experience to meet your specific needs : with its ultra-firm support, it can respond to the most specific requests.

### VERSAILLES MATTRESS TOPPER

Height: 3,1 in  
*Materials: Merino d'Arles wool, wool and camel wool, linen-silk-cashmere, and wool*  
*Finishes: embroideries, handles on request*

### IMPERIAL AIR SPRING HERITAGE MATTRESS

Tension: medium, firm, extra-firm or ultra-firm  
Comfort: dynamic  
Height: 11,4 in  
*Suspension: Air Spring® pocket spring*  
*Materials: Latex, Wool, Cotton, Kermel® and viscose*  
*Finishes: Integral tufting, embroideries, handles and aerators*

### ALPHA SPRING BED BASE

Tension: firm  
Height: 5,1 - 5,9 - 6,6 - 8,6 (standard: 6,6 in)  
*Structure: Spring and Pine wood*  
*Finishes: Traditional shell frame (except for height 5,1), quilted flat strip, choice of decorative fabric*

# T

## THE LEGS

Being a crucial component of our bed designs, Tréca Paris makes available a wide range of leg options. The latter encompass various materials like metal and wood, encompass both classic and contemporary styles, and are offered in an array of colors, all with multiple height choices.

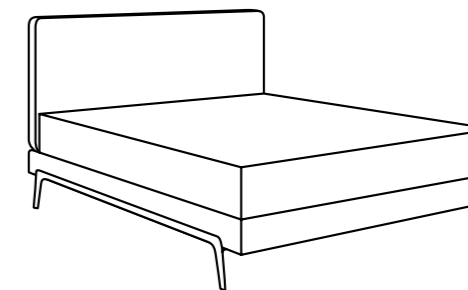
<p>VICTOIRE 5,9 in</p> 	<p>ADONIS 7,9 in</p> 	<p>PRISME 5,9 in</p> 
<p>COLETTE 5,9 in</p> 	<p>BAR CHROME 3,9 in</p> 	<p>LÉNA 5,9 in</p> 
<p>EQUERRE DÉCORATION 3,9 in</p> 	<p>ANGELE 6,6 in</p> 	<p>LOUIS XVI 5,9 in</p> 
<p>BLOCK CHROME 3,1 in</p> 	<p>BRUXELLES 3,9 in</p> 	<p>CUBE 3,9 in</p> 
<p>CYLINDRE 3,9-5,9 in</p> 	<p>EQUERRE 1,5-3,9-5,9 in</p> 	<p>NEW SQUARE 3,9-5,9 in</p> 

# T

## HEADBOARDS

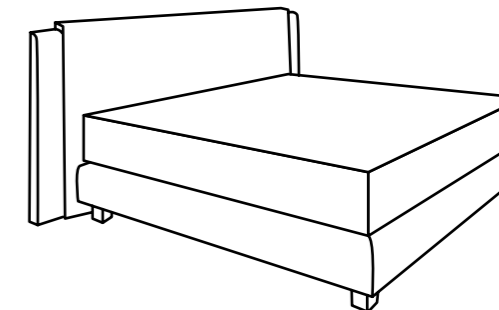
Tréca Paris has an in-house team of imaginative minds constantly explore new horizons in design and craftsmanship. This creative studio serves as a crucible for original concepts and developmental breakthroughs, ensuring that each Tréca creation is infused with the brand's distinctive identity and uncompromising commitment to excellence.

Tréca's creativity extends beyond our internal team. We engage with external designers, drawing from their diverse perspectives and expertise to enrich our offerings. This collective effort ensures that every creation, whether born from our internal team or through collaboration, embodies the epitome of luxury and sophistication in bedding.



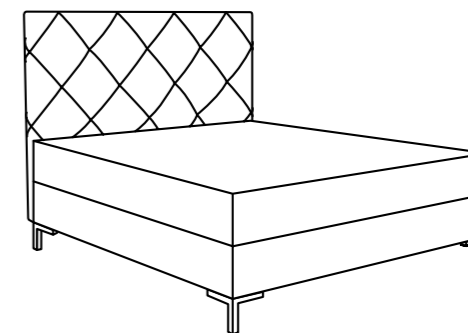
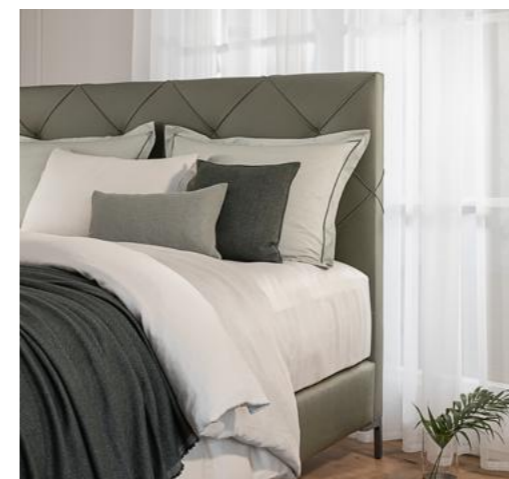
### ADONIS

Adonis is a complete bed set. It must be decorated with a specific "Adonis" facing and with Adonis legs  
Height: 39,7 in  
Thickness: 3,9 in  
Bed base width: from 47,2 to 78,7 in



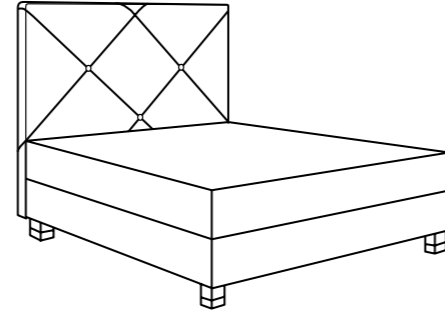
### ALEZANE

Height: 44,4 in - Prestige 59 in  
Thickness: 4,7 in  
Bed base width: from 31,4 to 78,7 in  
Headboard overhang: + 15,7 (bed  $\geq$  47,2 in) and +9,4 (bed  $\leq$  39,3 in)

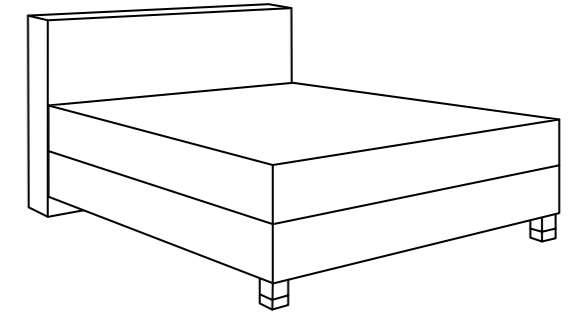


### CHLOÉ

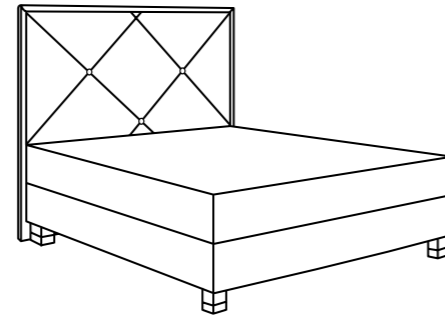
Height: 49,2 or 59 in  
Thickness: 3,9 in  
Bed base width: from 39,3 to 47,2 in



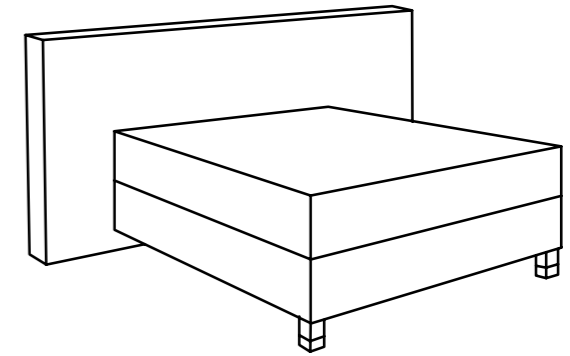
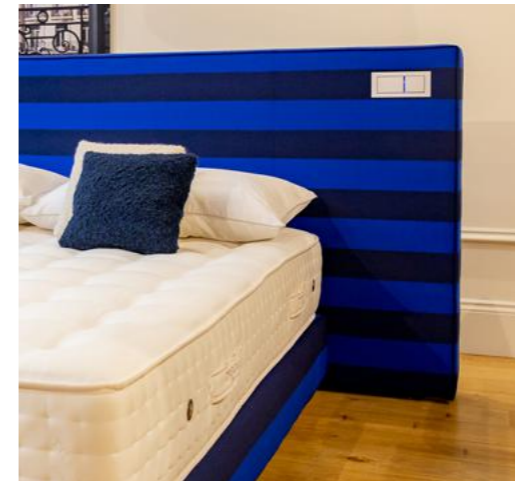
**CARAT**  
 Height: 55,1 or 59 in  
 Thickness: 3,9 in  
 Bed base width: from 35,4 to 78,7 in



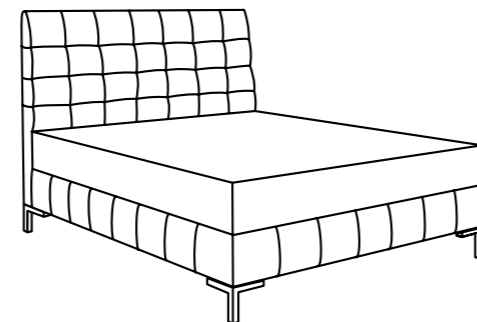
**CUBE**  
 Height: 39,3 or 47,2 in  
 Thickness: 7,4 in  
 Bed base width: 47,2 or 78,7 in



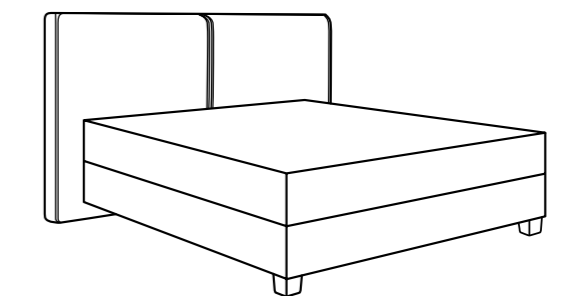
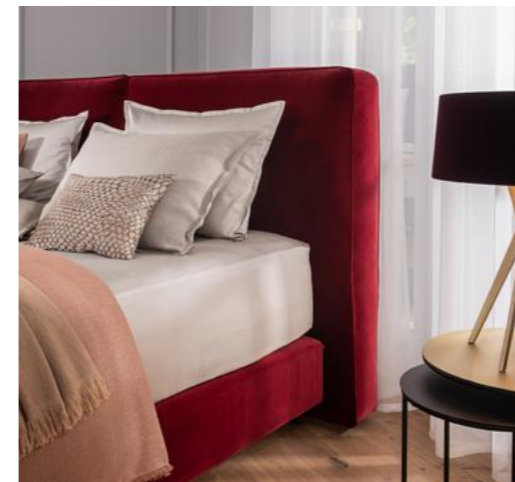
**CARAT BRUT**  
 Height: 64,9 in  
 Thickness: 4,7 in  
 Wood frame width : 1,2 in  
 Bed base width: from 35,4 to 78,7 in  
 Headboard overhang: + 2,3 in



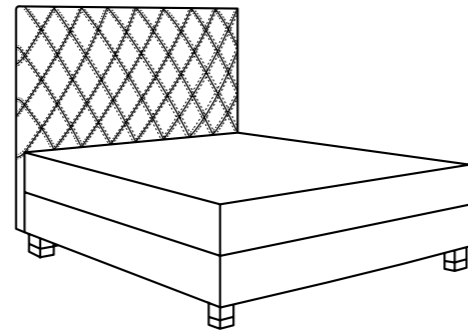
**CUBE WIDE**  
 Height: 39,3 or 47,2 in  
 Thickness: 7,4 in  
 Bed base width: 47,2 or 78,7 in  
 Headboard overhang: +11,8 to +31,4 in according on width



**COLETTE**  
 Height: 39,3 or 47,2 in  
 Thickness: 3,5 in  
 Bed base width: from 35,4 to 78,7 in

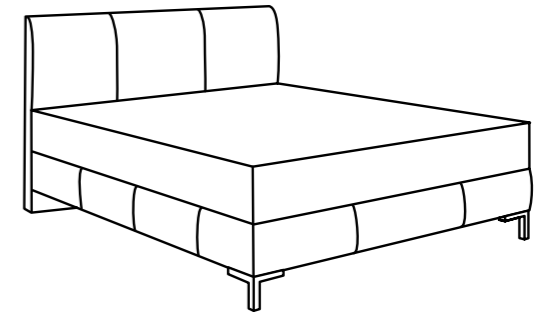


**CLUB**  
 Height: 47,2 in  
 Thickness: 7,8 in  
 Bed base width: to 55,1 to 78,7 in  
 Headboard overhang: +9,4 in



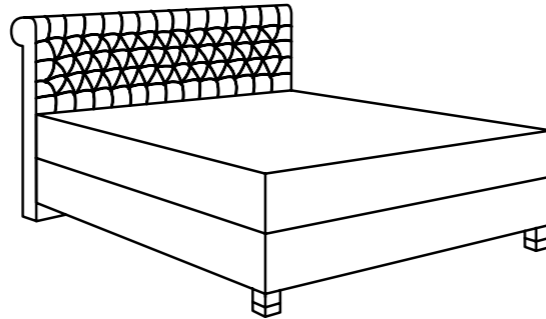
**DIAMANT**

Height: 55,1 or 59 in  
 Thickness: 3,9 in  
 Bed base width: from 35,4 to 78,7 in



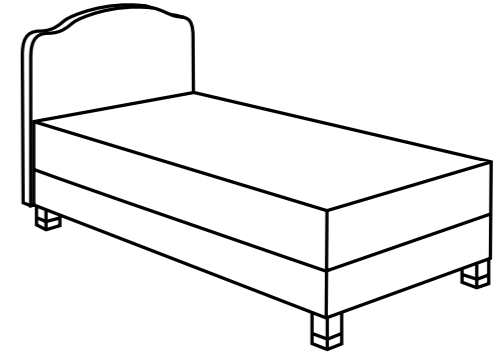
**KATE**

Height: 39,3 or 47,2 in  
 Thickness: 3,9 in at the top, 3,1 in at the bottom  
 Bed base width: from 47,2 or 78,7 in



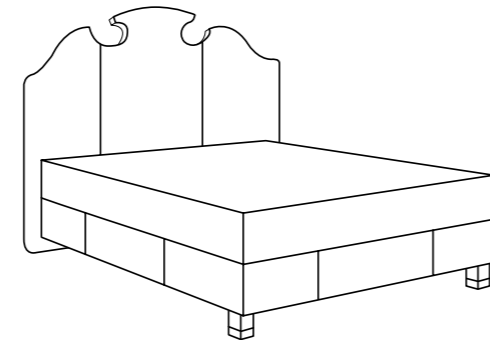
**ÉTOILE CAPITONÉE**

Height: 43,3 or 49,2 in - Prestige: 59 in  
 Thickness: 7 in at the top, 3,9 in at the bottom  
 Bed base width: 27,5 to 78,7 in



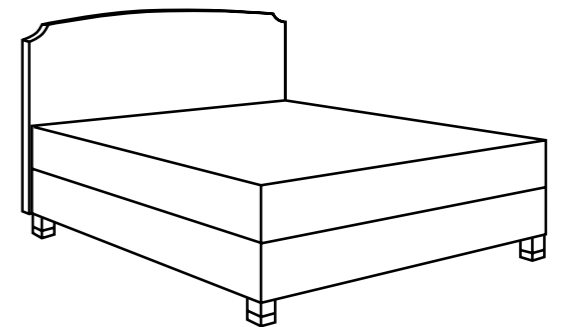
**LOUIS XV**

Height: 35,4 - 39,3 - 43,3 or 47,2 in  
 Thickness: 3,7 in  
 Bed base width: from 27,5 to 78,8 in



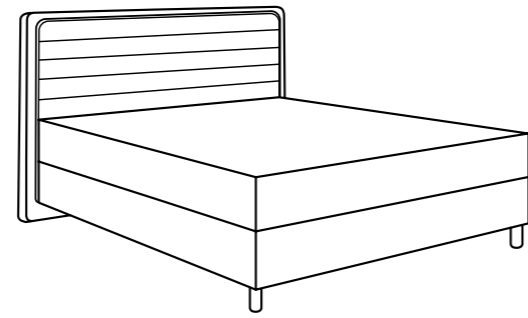
**GRESSEY**

Gressey is a complete bed set. It can be decorated with specific "Gressey" facings  
 Height: 62,9 in  
 Thickness: 4,7 in  
 Bed base width: from 55,1 to 78,7 in  
 Headboard overhang: + 3,9 in



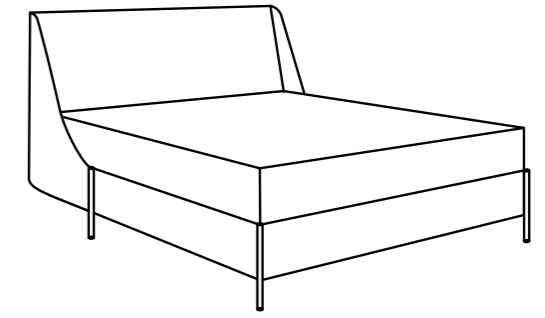
**LOUIS XVI**

Height: 35,4 - 39,3 - 43,3 or 47,2 in  
 Thickness: 3,7 in  
 Bed base width: from 27,5 to 78,8 in



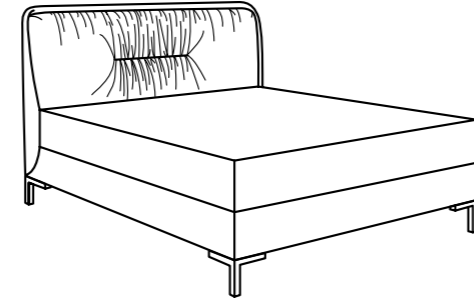
### LOUNGE

Height: 49,2 or 57 in  
 Frame thickness: 1,9 in  
 Cushion thickness: 2,7 in  
 Bed base width: from 35,4 to 78,7 in  
 Headboard overhang: + 3,1 in



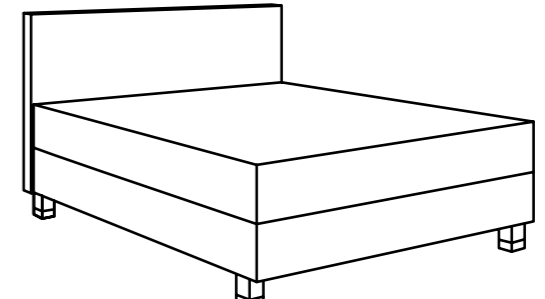
### MARGOT

Margot is a complete bed set. It must be ordered with specific bed leg Prisme only  
 Height: 39,3 in  
 Thickness: 15,7 in at the base and 5,1 in at the cushion area  
 Bed base width: from 47,2 to 78,8 in  
 Headboard overhang: + 3,1 in



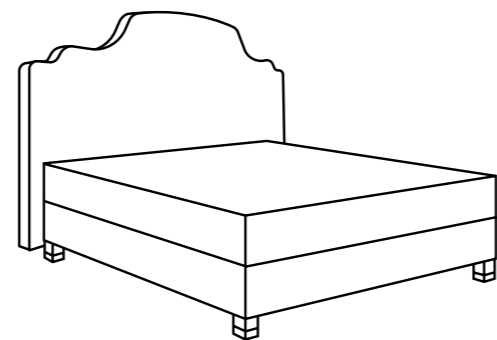
### MADELEINE

Madeleine is a complete bed set. It can be decorated with specific "Madeleine" facings  
 Height: 39,7 in  
 Thickness: 6,2 in  
 Bed base width: from 47,2 to 78,7 in



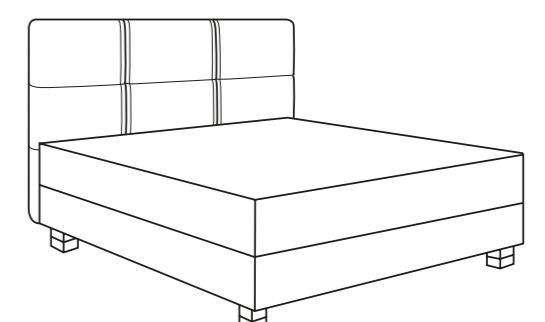
### MODERNE

Height: 27,9 or 35,8 in - 39,7 or 47,6 in  
 Thickness: 3,7 in (standard) or 2,9 in  
 Bed base width: from 27,5 to 78,7 in - from 55,1 to 78,7 in



### MARCILLY PRESTIGE

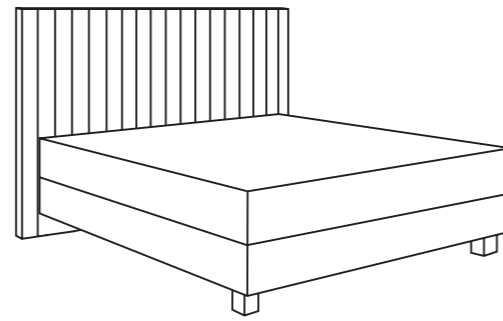
Height: 59 in  
 Thickness: 3,9 in  
 Bed base width: from 31,4 to 78,7 in  
 Headboard overhang: + 1,9 in



### MOON

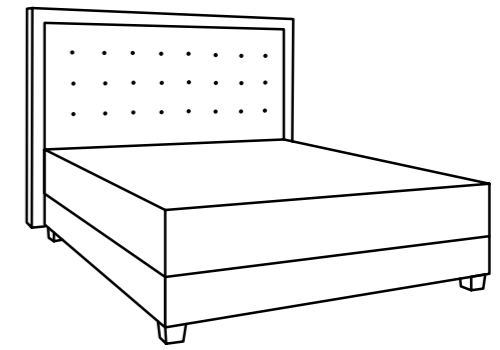
Height: 43,7 in  
 Thickness: 6,2 in  
 Bed base width: from 55,1 to 78,7 in  
 Headboard overhang: + 2,3 in





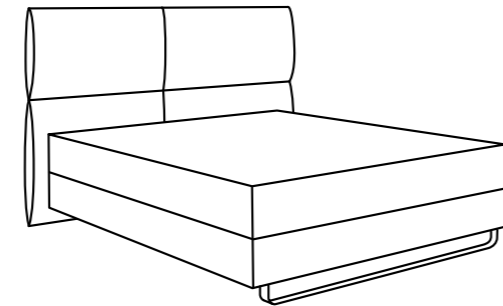
**POÉSIE PRESTIGE**

Height: 47,6 or 55,5 in  
 Thickness: 3,1 in  
 Bed base width: from 55,1 to 78,7 in  
 Headboard overhang: + 7,8 in



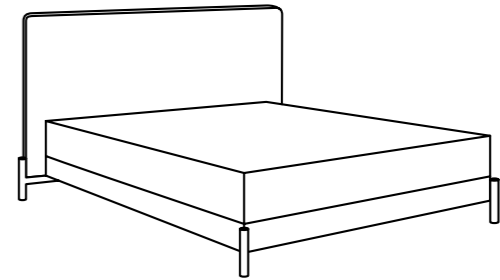
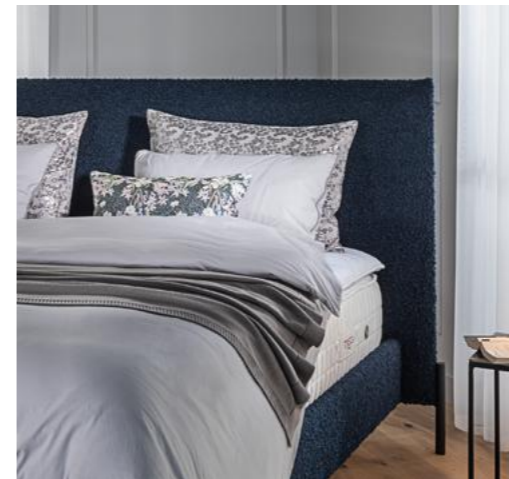
**TOURNELLE**

Height: 55,1 or 59 in  
 Thickness: 2,7 in  
 Bed base width: from 55,1 to 78,7 in  
 Headboard overhang: + 5,5 in



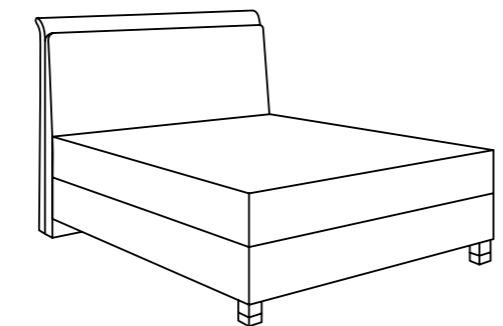
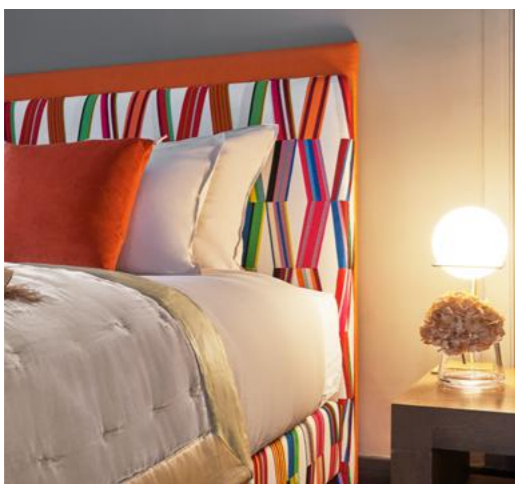
**PORTOFINO**

Height: 49,2 in  
 Thickness: 3,5 in  
 Bed base width: from 47,2 to 78,7 in  
 Headboard overhang: + 7,8 in



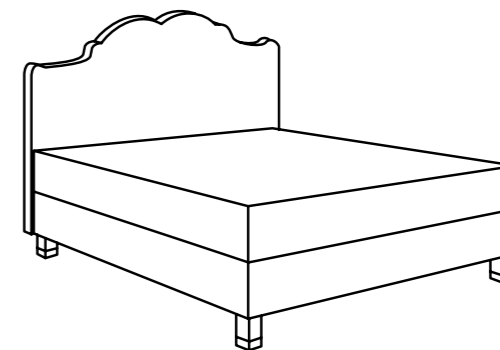
**VICTOIRE**

Victoire is a complete bed set. It must be ordered with specific bed leg Victoire only  
 Height: 39,3 in - Prestige 59 in  
 Thickness: 3,9 in  
 Bed base width: from 47,2 to 78,7 in  
 Headboard overhang: + 10,6 in



**SAINT GERMAIN**

Height: 47,2 or 55,1 in  
 Frame thickness: 0,8 in  
 Cushion thickness: 3,5 in  
 Bed base width: from 43,3 to 78,7 in



**VERSAILLES**

Height: 39,3 or 47,2 in - Prestige: 62,9 in  
 Thickness: 3,7 in  
 Bed base width: from 27,5 to 78,7 in - Prestige: 55,1 from 78,7 in  
 Headboard overhang: + 7,8 in



T

## COMPATIBILITIES

FABRIC TYPE

ARSENE	CHEYENNE	FINE	GORGES	LOFT	MARION	OPIO	PORTOFINO	SHERLOCK	TILDA	TUPI	TUNIS	LEATHER NATUREL	LEATHER SELECT
--------	----------	------	--------	------	--------	------	-----------	----------	-------	------	-------	--------------------	-------------------

HEADBOARDS

	ARSENE	CHEYENNE	FINE	GORGES	LOFT	MARION	OPIO	PORTOFINO	SHERLOCK	TILDA	TUPI	TUNIS	LEATHER NATUREL	LEATHER SELECT
ADONIS	●	●	●	●	×	●	×	●	●	×	●	×	●	●
ALEZANE	●	●	●	●	●	●	●	●	×	●	●	●	●	●
CARAT	●	●	●	●	●	●	●	●	●	●	●	●	●	●
CARAT BRUT	●	×	●	●	●	●	●	●	●	●	●	●	●	●
CHLOE	●	×	×	●	●	×	×	●	×	×	●	×	×	×
CLUB	●	●	●	●	●	●	×	●	●	●	●	●	●	●
COLETTE	●	●	●	●	●	×	×	●	×	×	●	●	●	●
CUBE & CUBE WIDE	●	●	●	●	●	●	●	●	●	●	●	●	●	●
DIAMANT	×	×	●	●	●	×	×	●	×	×	●	×	●	●
ETOILE CAPITONNEE	●	●	×	●	●	×	×	●	●	●	●	●	●	●
GRESSEY	●	●	●	●	●	●	●	●	×	●	●	×	×	×
KATE	×	●	●	●	●	×	×	●	●	●	●	●	●	●
LOUIS XV	●	●	●	●	●	●	●	●	●	●	●	●	●	●
LOUIS XVI	●	●	●	●	●	●	●	●	●	●	●	●	●	●
LOUNGE	●	×	●	●	●	●	●	●	●	●	●	●	●	●
MADELEINE	●	×	●	●	●	×	×	●	●	×	●	×	×	×
MARCILLY	●	●	×	●	●	●	×	●	●	●	●	●	×	×
MARGOT	●	●	●	●	×	×	●	●	×	●	●	×	●	●
MODERNE	●	●	●	●	●	●	●	●	●	●	●	●	●	●
MOON	●	●	×	●	×	×	●	●	×	×	●	●	×	×
POESIE PRESTIGE	●	●	●	●	●	×	×	●	●	●	●	●	●	●
PORTOFINO	●	●	●	●	●	●	●	●	●	●	●	●	●	●
SAINT GERMAIN	●	×	●	●	●	●	×	●	●	●	●	●	●	●
TOURNELLE	●	●	●	●	●	●	×	●	●	×	●	●	●	●
VERSAILLES	●	●	×	●	●	●	×	●	●	●	●	●	×	×
VICTOIRE	●	●	●	●	●	●	●	●	●	●	●	●	●	●

# TRÉCA X PIERRE FREY

Scan the QR Code  
and discover  
more details on  
our fabric bundle



## I - COOL TONES





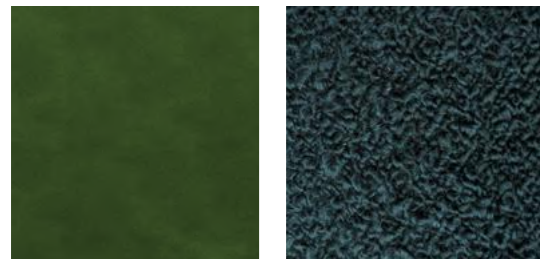
CHEYENNE AMANDE  
F3222022  
Cat C

ARSENE CACTUS  
F3371025  
Cat E

TIPI OLIVE  
F3221015  
Cat D

FINE LIME GREEN  
F3210011  
Cat B

TUNIS PISTACHIO  
N9012161006  
Cat C



FINE SAPIN  
F3210013  
Cat B

OPIO PRUSSIANA  
I6616010  
Cat I

II - WARM  
TONES



MARION CORDE  
F3496002  
Cat E

GORDES CREME  
F3443004  
Cat D



TUNIS OTMEAL  
N9012161027  
Cat C

LOFT RAFIA  
F3168002  
Cat A

ARSENE QUINOA  
F3371005  
Cat E

PORTOFINO RAFIA  
F2880004  
Cat B

SHERLOCK JUTE  
O7939007  
Cat A



CHEYENNE NATUREL  
F32220051  
Cat C

PORTOFINO FICELLE  
F2880005  
Cat B

TIPI SABLE  
F3221003  
Cat D

GORDES LIN  
F3443006  
Cat D

CHEYENNE CAFE  
F3222006  
Cat C



FINE DUNE  
F3210003  
Cat B

OPIO ORZO  
I6616003  
Cat I

TUNIS CAMEL  
N9012161034  
Cat C

TILDA GOLD  
I6601002  
Cat E

ARSENE POUSSIN  
F3371028  
Cat E



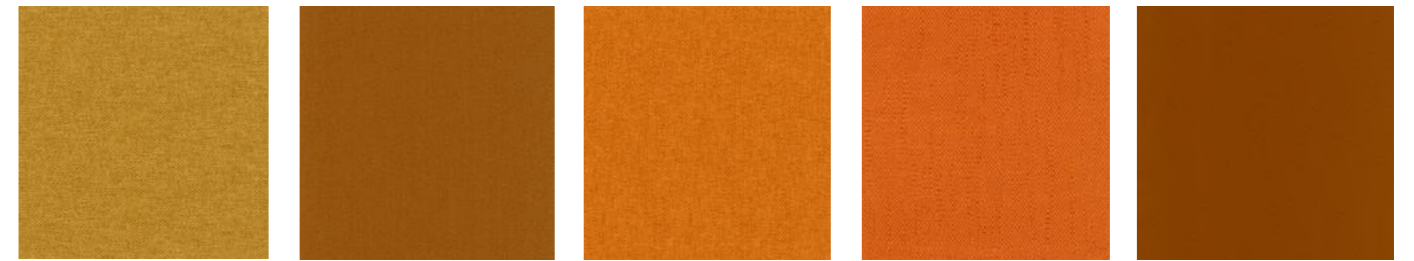
LOFT SAFRAN  
F3168012  
Cat A

FINE SAFRAN  
F3210010  
Cat B

PORTOFINO CITRON  
F2880026  
Cat B

CHEYENNE MIMOSA  
F3222011  
Cat C

TUNIS LEMONADE  
N9012161039  
Cat C



SHERLOCK MANGUE  
O7939010  
Cat A

GORDES COGNAC  
F3443012  
Cat D

SHERLOCK COURGE  
O7939011  
Cat A

PORTOFINO ORANGE  
F2880024  
Cat B

TIPI TERRACOTTA  
F3221031  
Cat D



ARSENE TABAC  
F3371011  
Cat E

FINE WOOD  
F3210007  
Cat B

TIPI TAUPE  
F3221006  
Cat D

SHERLOCK ALPAGA  
O7939019  
Cat A

TUNIS MOCACHINO  
N9012161029  
Cat C



FINE SKETCH  
F3210025  
Cat B

LOFT CORAIL  
F3168024  
Cat A

SHERLOCK GRIOTTE  
O7939013  
Cat A

FINE GOD SAVE THE QUEEN  
F3210021  
Cat B

FINE WINE  
F3210031  
Cat B



TIPI COQUELICOT  
F3221034  
Cat D

FINE FIRE  
F3210030  
Cat B

PORTOFINO CORAIL  
F2880023  
Cat B

CHEYENNE CORAIL  
F3222014  
Cat C

GORDES ROUSILLON  
F3443017  
Cat D

# LEATHER

Scan the QR Code  
and discover  
more details on  
our leather bundle



## I - COOL TONES



# LEATHER

## II - WARM TONES



T

## OUR SERVICES

Our unwavering commitment to excellence is embodied in our bespoke services, elevating the shopping experience to new heights and redefining industry standards.

To provide a seamless and personalized delivery experience, we offer a high end, white glove, delivery service. Our teams, highly trained in the delicate handling of luxury goods, ensure the meticulous installation of your Tréca bed in the room of your choice, executing every step with the utmost care.

For added convenience, we provide a comprehensive video guide, offering step-by-step support throughout the installation process. This ensures the flawless preservation of each item's quality and attention to detail at every stage.

As part of our commitment to sustainability, we retrieve your old bedding and reintroduce it into our eco-conscious recycling process. We also take care of folding and organizing all packaging materials, leaving your space clean and orderly.

We are devoted to delivering a fully personalized service that guarantees complete satisfaction, including alterations upon request.





# TRECA

PARIS

## WORKSHOPS

7, rue René Moritz – 67110 Reichshoffen – FRANCE  
8, rue Jean Mermoz – 41500 Mer – FRANCE

## SHOWROOM

344 Bowery, New York, NY 10012, UNITED STATES OF AMERICA

## CONTACT

[customersupport-usa@treca-paris.com](mailto:customersupport-usa@treca-paris.com)

[www.treca.com](http://www.treca.com)

09/2024 - Creation : ADOVA Group

Photos : iStockphoto - Getty images - Shutterstock - Adobe Stock - Denys Vinson - Marine Billet - Matthieu Salvaing - Unsplash - Non-contractual photo